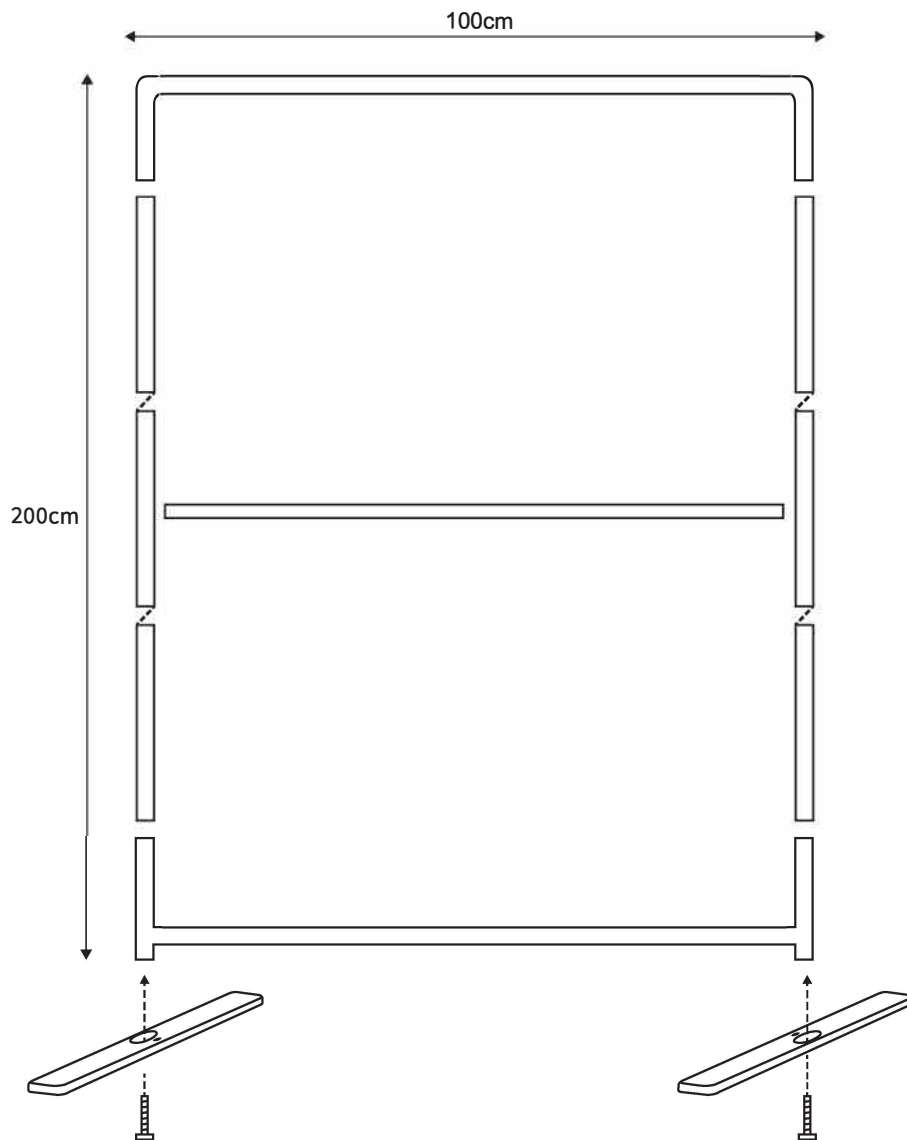









MANUAL

SHAPE ZIPPER BANNER
WIDTH 100cm
HEIGHT 200cm



PARTS LIST

	2x	STEEL FEET		1x	TOP CORNER
	2x	SCREW		1x	BOTTOM CORNER
	1x	HEXA-KEY		2x	TUBE VERTICAL
	1x	SUPPORT POLE			